



Weapons and Accessories Catalog

Government/ LE Edition

phone: 440.285.3481 • **fax:** 440.286.8571 • **web:** ohioordnanceworks.com

Price and availability subject to change.



table of contents

OOW249 Squad Automatic Weapon (S.A.W)	4
OOW240 Medium Weight Machine Gun	6
M240-SLR	8
M240 Select Fire	10
.50 M2HB QCG	11
.50 M2HB	12
Non-Firing Replica Firearms	13
OOW240/OOW249 Dual Purpose Mount	14
MK 99 Twin 240 Mount	15
M192 Tripod Mount	16
MK 93 Mount	17
MK 123 Mod. 1 Airborne Tripod	18
Single and Twin .50 Caliber Mount	19
PKM1 Cradle Mount	20
Weapon System Repair/Rebuild	21
Firearms Training and Instruction	22

mailing address:

Ohio Ordnance Works, Inc.
PO Box 687
Chardon, Ohio 44024

phone: 440-285-3481, **fax:** 440-286-8571
business hours: monday – friday, 8am – 5pm
sales inquiries: sales@oowinc.com
general: oow@ohioordnanceworks.com
web: www.ohioordnanceworks.com



Government/ LE Catalog

OHIO ORDNANCE WORKS, INC.

Cage Code: 1V2A7

Ohio Ordnance Works, Inc. History

Robert I. Landies, the owner and founder of Ohio Ordnance Works, Inc. (OOW), has been involved with ordnance for over 45 years. Beginning in 1964, Mr. Landies started his career working at TRW in the jet engine division and eventually moved to the Navy torpedo division. Continuing as a collector and gun-smith of military firearms, he gained extensive knowledge in a variety of different weapon systems and designs during his seven years of military service with the U.S. Army in both active and reserve duty as an armor officer. In 1981, this knowledge was brought to bear through a full time business with the establishment of what is today known as Ohio Ordnance Works, Inc.

During the years 1981-1990, OOW engaged primarily in buying and selling military firearms, parts and accessories in the commercial market. Qualified employees and manufacturing machinery were added which facilitated the development of a repair department and the ability to build small orders of firearms from scratch for the commercial market.

In 1990, OOW began manufacturing firearms and ordnance for supply to different foreign and domestic government agencies. This capacity has expanded steadily over the years due to a wide base of weapon system knowledge, qualified personnel, state of the art machinery, new technology, and a commitment to excellence in both products and services.

OOW Today

Presently Ohio Ordnance Works, Inc. has a workforce of 45+ employees who work within the company's 30,000 square foot facility located on four acres in an industrial park. OOW is currently supplying substantial amounts of small arms manufactured and modified for training simulators to U.S. Army Simulator Training Command, as well as providing light machine gun mounts and cradles to U.S. Army Tank Command. OOW is fully licensed to accommodate all aspects of manufacture, sales, and distribution both domestic and overseas, of any ordnance commodity.

Notable Customers:



• OOW249 Squad Automatic Weapon (S.A.W.)

The OOW249 is the belt-fed, air-cooled, fully automatic machine gun currently deployed by U.S. and international forces. Since the invasion of Panama in 1989, the S.A.W. has proven itself in every major U.S. conflict.

In 1984, the S.A.W. system was found to be the most effective candidate to address the need for more firepower in small units. For over 20 years, the OOW249 has seen every possible condition and environment and continues to come out on top.

The OOW249 S.A.W. provides infantry with the heavy volume of fire of a machine gun combined with accuracy that begins to approach that of a rifle. It fires the NATO standard 5.56mm cartridge, and is capable of engaging targets out to 800 meters.

Ohio Ordnance Works, Inc. (OOW) is proud to offer the S.A.W.:

- Consistent, reliable, on-time delivery achieved with ISO certified multi-tier inspections
- Ready for battle right out of the box- Tested for functionality and accuracy at the factory
- Risk Free Purchasing with our “no nonsense” parts and workmanship warranty
- Be prepared for any environment or scenario- Multiple Configuration options allow you to customize to a unit’s specific needs

With the addition of the OOW249 S.A.W. to our production line, OOW has evolved to provide the customer with a single source for their Crew Served Weapons needs.

9348200.....Call for Quote

9348200-1 (Para).....Call for Quote

*To request a quote or proposal for US or International tenders, please call **440-285-3481**.*

Weapon Specifications:

Caliber	5.56 x 45mm NATO
Finish	Phosphate
Operation	Gas-operated, open bolt
Feed	M27 linked belt, STANAG magazine
Weight Empty	17 lbs. (7.71 kg)
Length Overall	41 inches (104.14 cm)
Barrel Length	21 inches (53.34 cm)
Rate of Fire	750–1,000 rounds per minute
Effective Range	1,000 yards (914 meters)



Government/ LE Catalog

OHIO ORDNANCE WORKS, INC.

Cage Code: 1V2A7



OOW249 shown in standard configuration with fixed, recoil-absorbing buttstock, heat-resistant handguard, heatshield and bipod for fixed position firing.

• OOW240 Medium Weight Machine Gun

The current issue US military medium weight machine gun, the OOW240, is a belt-fed, air-cooled, crew serve machine gun system capable of sustained and accurate suppressive fire that far surpasses its predecessor, the M60.

The United States Armed Forces have been using the OOW240 since the mid-1980s. It was first used in a vehicle/coaxial role, but was popular enough to be adopted by the infantries of both the United States Marines and the United States Army during the 1990's.

The OOW240 has proven to be more durable in tests and in the field than the M60. It fires a 7.62mm round, and the NATO standardization offers unique benefits in terms of training, logistics and joint operations.

Providing a competitive and superior quality alternative, Ohio Ordnance Works, Inc. (OOW), offers a complete OOW240 medium weight machine gun package. All special tools, barrels, internal parts, depot level repairs and rebuilds are available upon purchase of the OOW240 Gun System with all versions, available at time of order.

- "B" Config. 12976814 Call for Quote
- "C" Config. 11826175 Call for Quote
- "D" Config. 12977099..... Call for Quote
- "G" Config. FN88A10 Call for Quote
- "H" Config. 13008366..... Call for Quote
- "N" Config. 12999178..... Call for Quote

*To request a quote or proposal for US or International tenders, please call **440-285-3481**.*



OOW240 shown in "B" configuration (OOW240B). OOW240"C", "D", "F", "G", "H" and "N" also available from OOW.



Government/ LE Catalog

OHIO ORDNANCE WORKS, INC.

Cage Code: 1V2A7



Weapon Specifications:

Total System Weight (gun and tripod complete)	45.6 lbs. (20.68 kg)
Weight of Machine Gun	27.1 lbs. (12.29 kg)
Weight of Barrel	6.6 lbs. (2.99 kg)
Length of Machine Gun	49 inches (124.46 cm)
Height of Machine Gun On Tripod	17 inches (43.18 cm)
Muzzle Velocity	2,800 feet per second
Rifling	4 grooves with a uniform right hand twist, one turn in 12 inches

Ranges:

Maximum	4,100 yards (3,725 meters)
Maximum Effective	1,970 yards (1,800 meters)
Grazing Fire	660 yards (600 meters)
Cyclic Rate of Fire	650–950 rounds per minute

• M240 SLR

Ohio Ordnance Works, Inc. (OOW) is pleased to offer our unique, re-engineered, belt-fed, semi-auto version of the M240 Machine Gun. The M240-SLR (Self Loading Rifle) is a combination of original M240 parts designed and manufactured by OOW.

Delivering minute-of-angle accuracy, high capacity, and proven durability, this weapon is ideal for situations which require highly accurate, sustained, controlled fire.

Like the M240, the M240-SLR fires a 7.62mm NATO round. However, unlike the M240, the M240-SLR has been redesigned to fire from a closed bolt.

In field tests, using match ammunition, a randomly chosen weapon effortlessly produced minute-of-angle (1") groups at 100 yards. In both single and rapid fire (400 rpm) tests, absolutely no malfunctions were experienced with the gun... a true testament to its superb engineering.

The M240-SLR is dimensionally identical to the M240, and is able to integrate into any M240 mounting system. The internal parts have been redesigned and are all manufactured by OOW at our ISO certified facility to the highest standards of quality.

12976814-SLRCall for Quote

*To request a quote or proposal for US or International tenders, please call **440-285-3481**.*



Government/ LE Catalog

OHIO ORDNANCE WORKS, INC.

Cage Code: 1V2A7



Semi-automatic only M240 SLR has the same external dimensions and easily fits into mounts designed for its full auto cousin.

Weapon Specifications:

Caliber	7.62 x 51mm
Finish	Parkerized (Weather Resistant)
Action	Closed bolt, semi-automatic
Weight Empty	24.2 lbs. (10.98 kg)
Length Overall	47.541 inches (120.75 cm) with flash hider
Barrel Length	20 inches (50.8 cm)
Sights	Adjustable iron
Stock	Polymer

• M240 Select Fire

The M240 Select Fire Trigger Pack is a practical improvement for the M240 weapon system.

This patented trigger pack design offers instant select fire capability with no hassle. Simply remove the original trigger group and install the new Select Fire Trigger Pack into your M240 weapon system.

The easy-to-use design features a thumb operated selector switch to rapidly change from semi to full-automatic firing. It universally fits all MAG and M240 variants, is interchangeable with the push of one pin and requires no significant additional training.

With the ability to switch between semi and full-automatic, the warfighter can engage single targets or recon by fire.

This unique battlefield advantage allows the user to have single shot accuracy and conserve ammunition. It also provides the gunner the ability to switch between the role of machine gunner and rifleman. These options broaden the strategic and tactical options and provide distinct battlefield advantages.

To ensure combat reliability, we put the trigger pack through rigorous testing:

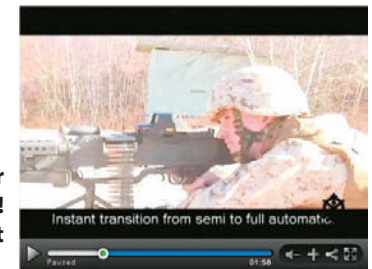
- Endurance tested with 10,000 rounds fired in full and semi-automatic modes without failure.
- Drop tested at all angles from 2 meters. Sear stayed engaged regardless of shock to the system.
- Selector resistance remains constant after endurance testing of 10,000 rounds.
- Trigger Pull remains positive to mil-spec after endurance tests

11301079 M240 Select FireCall for Quote

*To request a quote or proposal for US or International tenders, please call **440-285-3481**.*



Select Fire trigger housing drops into any OOW240, M240 or GPMG variant in seconds with the push of a pin.



Visit website for M240 Select Fire™ Video!

www.ohioordnanceworks.com/Videos.cat



Government/ LE Catalog

OHIO ORDNANCE WORKS, INC.

Cage Code: 1V2A7

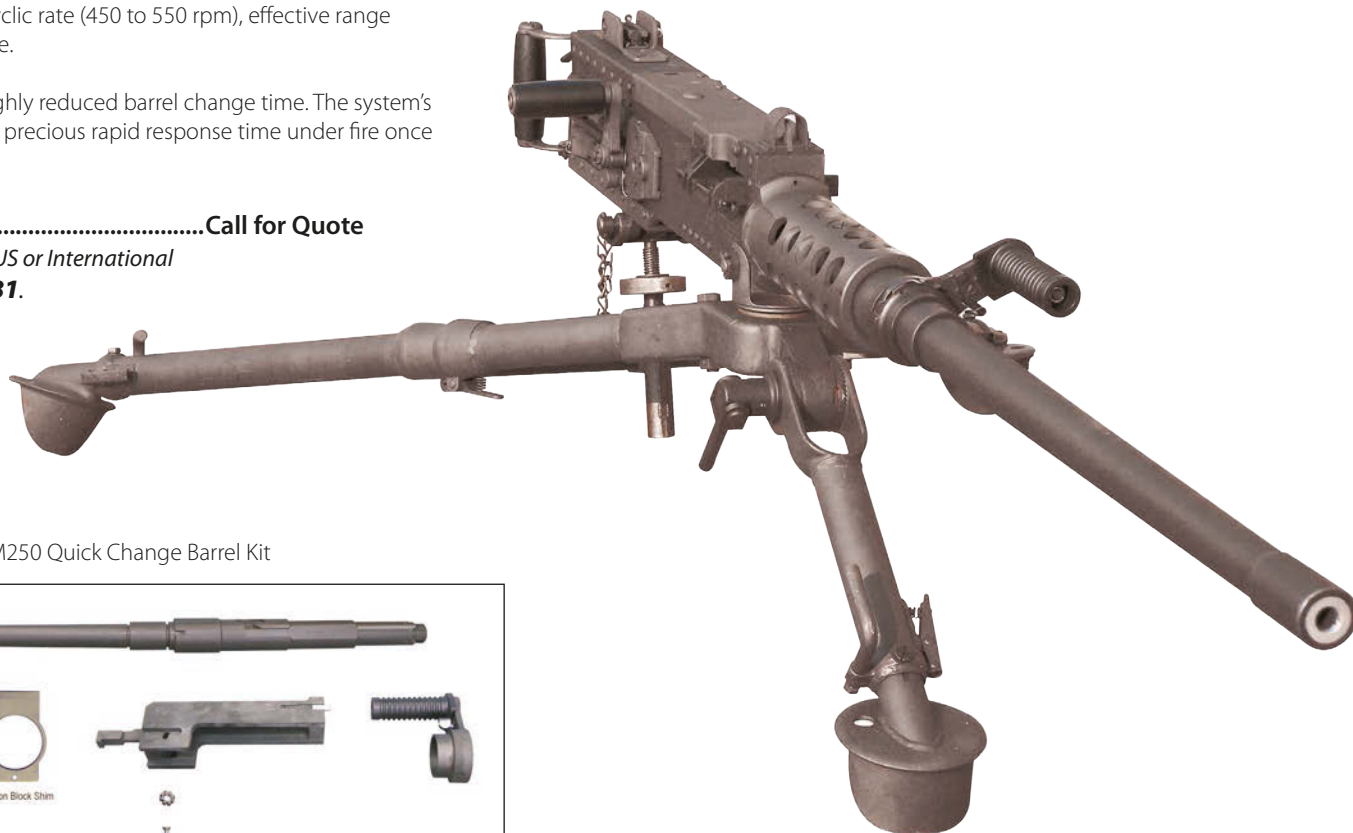
• .50 M2HB QCB

The M2 QCB offers the same protection and capabilities that the classic M2 Heavy Barrel offers. It has the same cyclic rate (450 to 550 rpm), effective range (7,400 yards) and ease of maintenance.

What sets the M2 QCB apart is the highly reduced barrel change time. The system's preset head space settings can mean precious rapid response time under fire once the barrel reaches "hot gun" status.

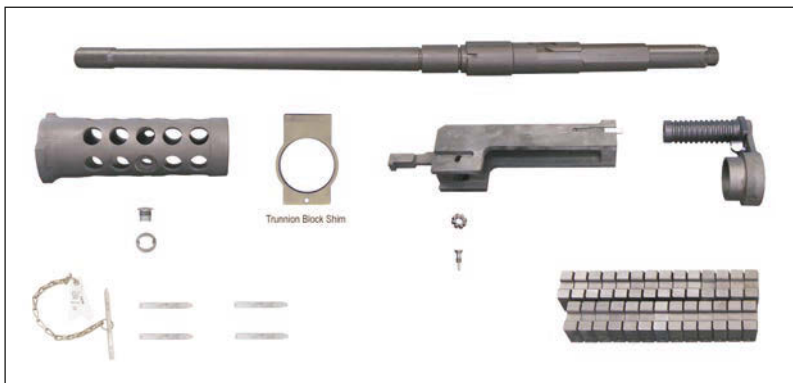
M2A1-100ECall for Quote

*To request a quote or proposal for US or International tenders, please call **440-285-3481**.*



Conversion Kit 10198942

Convert standard HB to QCB M250 Quick Change Barrel Kit



10198942Call for Quote

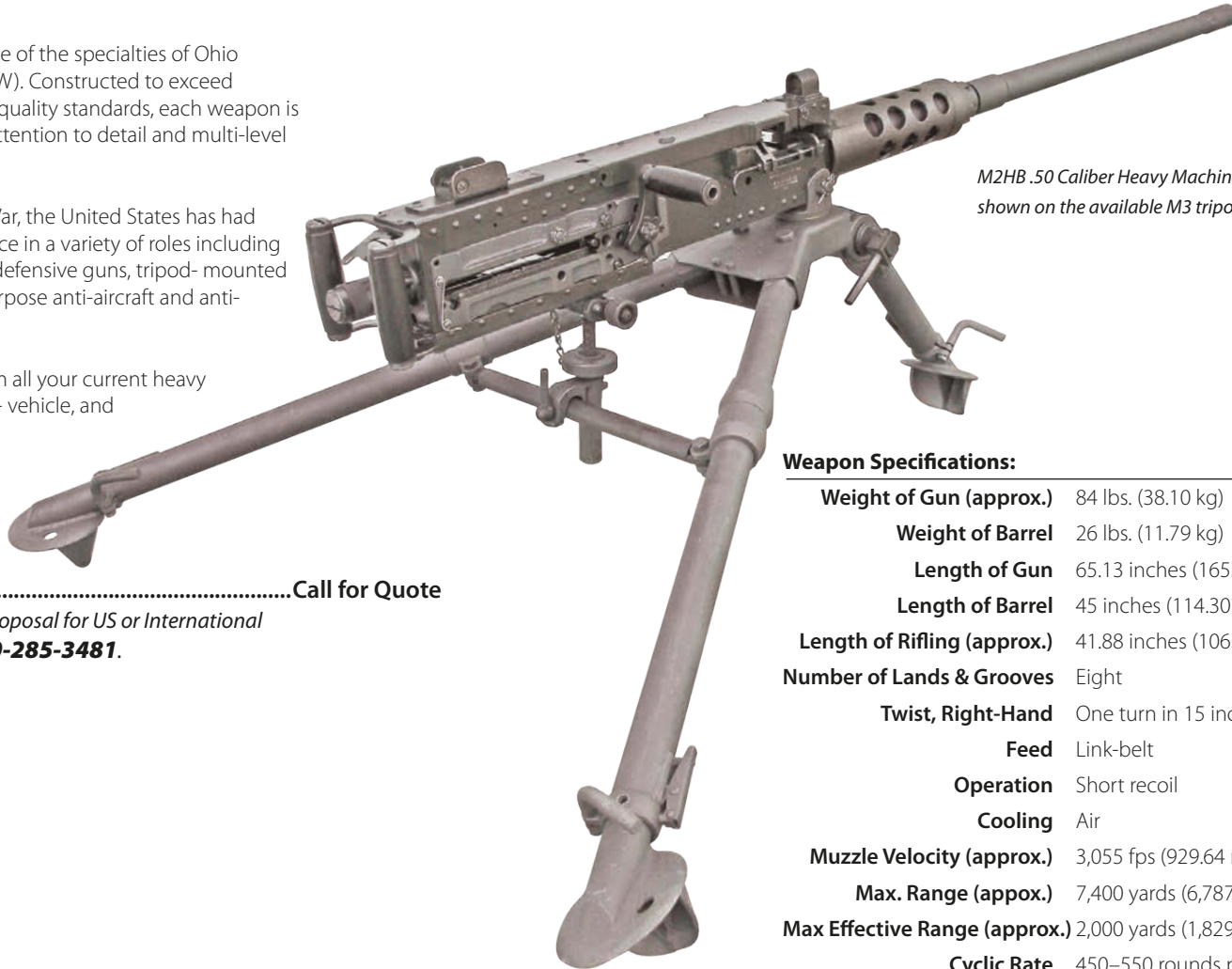
Eliminate the risks and casualties from improper headspace and timing with OOW's M2QCB .50 Caliber Heavy Machine Gun.

• .50 M2HB

The M2HB .50 caliber is one of the specialties of Ohio Ordnance Works, Inc. (OOW). Constructed to exceed military expectations and quality standards, each weapon is built with individualized attention to detail and multi-level inspection of quality.

Since the Second World War, the United States has had versions of the M2 in service in a variety of roles including aircraft guns, anti-aircraft defensive guns, tripod-mounted infantry guns and dual purpose anti-aircraft and anti-vehicular weapons.

The M2HB will out perform all your current heavy weight machine gun, anti-vehicle, and force protection needs.



M2HB .50 Caliber Heavy Machine Gun shown on the available M3 tripod.

7265636.....Call for Quote

*To request a quote or proposal for US or International tenders, please call **440-285-3481**.*

Weapon Specifications:

Weight of Gun (approx.)	84 lbs. (38.10 kg)
Weight of Barrel	26 lbs. (11.79 kg)
Length of Gun	65.13 inches (165.43 cm)
Length of Barrel	45 inches (114.30 cm)
Length of Rifling (approx.)	41.88 inches (106.38 cm)
Number of Lands & Grooves	Eight
Twist, Right-Hand	One turn in 15 inches (38.10 cm)
Feed	Link-belt
Operation	Short recoil
Cooling	Air
Muzzle Velocity (approx.)	3,055 fps (929.64 mps)
Max. Range (approx.)	7,400 yards (6,787 m)
Max Effective Range (approx.)	2,000 yards (1,829 m)
Cyclic Rate	450–550 rounds per minute

Capable of Right Hand or Left Hand Feed (upon part change out).



Government/ LE Catalog

OHIO ORDNANCE WORKS, INC.

Cage Code: 1V2A7

• Non-Firing Replica Firearms

Non-guns/Dummy Guns

Non-firing replica firearms by Ohio Ordnance Works, Inc. Each firearm is designed, intended and built to be non-functional for display and presentation purposes: whether for a salesperson who needs a display but doesn't want the hassle of NFA paperwork, or for teaching, training and instruction on different systems, OOW's replica firearms are the perfect fit. Available models include M4/AR15, AK47, M249, M240, M2 .50 and MK19. Quantity pricing available. Some models patented by OOW.



700001 Call for Quote



7265636-Non Gun Call for Quote



9348200-NG..... Call for Quote

To request a quote or proposal for US or International tenders, please call **440-285-3481**.

Many weapon systems available- call for details.

• OOW240/OOW249 Dual Purpose Mount

OOW exclusive Dual purpose cradle comfortably mounts OOW240, OOW249, M240 or M249 with no modifications. Cradle features 7.62 ammo can holder and 5.56 (.223) M249 Battle Pack holder. Please specify adapter style: .30-.50 (small pintle) or Standard (large pintle). Choose between a Parkerize Grey or Desert Tan powder coat finish. Weighs only 11 pounds. No assembly required.

Two pintle sizes available (small and large). Please specify when ordering.



Large Pintle 750000Call for Quote

*To request a quote or proposal for US or International tenders, please call **440-285-3481**.*



Small Pintle 750000A.....Call for Quote

*To request a quote or proposal for US or International tenders, please call **440-285-3481**.*



Government/ LE Catalog

OHIO ORDNANCE WORKS, INC.

Cage Code: 1V2A7

• MK 99 Twin 240 Mount

The MK 99 Twin M240 mount is an Ohio Ordnance Works, Inc. new manufacture item designed to hold twin OOW240 or M240 medium weight machine guns.

The MK 99 can be mounted to vehicles or structures. It comes with Navy large pintle and self-capturing pins.

The mount includes two 400 round ammo cans.

113081Call for Quote

*To request a quote or proposal for US or International tenders, please call **440-285-3481**.*



An M240 setup for right hand feed is required with this mount. Parts to facilitate right hand feeding available from OOW. Call for details.

• M192 Tripod Mount

The M192 Lightweight Ground Mount is a tripod used in the field by the United States Armed Forces. It was designed for use with the OOW249, OOW240B, OOW240E6, M249, M240B, and the M240E6 weapon systems.

The mount is compact and collapsible with an integrated traverse and elevating mechanism. It weighs 11.5 pounds and is easy to emplace and engage targets.

13001669Call for Quote

*To request a quote or proposal for US or International tenders, please call **440-285-3481**.*



M192 weighs only 11.5 lbs. without gun attached and folds up to an easily portable, compact size.



Government/ LE Catalog

OHIO ORDNANCE WORKS, INC.

Cage Code: 1V2A7

• MK 93 Mount

The MK 93 mount is a dual purpose mount for the M2HB .50 caliber Heavy Machine Gun and the MK19 Mod3 grenade launcher.

The mounting system is designed for use with a vehicular mount or tripod and uses hydraulic buffers that allow for easy control of the weapon.

The MK 93 requires no external adapters or tools to mount either weapon system, making change-over much easier.

The mount comes with small and large pintle, ammo can bracket, ammo can and manual.

WO-283.....Call for Quote

*To request a quote or proposal for US or International tenders, please call **440-285-3481**.*



Mount and ammo can shown on optional MK16 stand.



Mount and ammo can shown.



Mount and stand shown with optional armor shield.

• MK 123 Mod. 1 Airborne Tripod

Lightweight .50 Cal. Tripod

Massive weight reduction = immediately lighter combat load! Manufactured of high strength aluminum, this lightweight tripod comes complete with pintle and traverse & elevation mechanism, and weighs only 19 pounds. Compared to its 44lb. predecessor, this is a weight reduction of 43%! Similar to the M3 tripod, this lighter version is easier to transport in the field yet rugged enough for constant firing from a dug in position. Accepts the same mounts as the traditional M3 tripod. Black anodized finish. Weighs only 19 lbs.

6649906.....Call for Quote

*To request a quote or proposal for US or International tenders, please call **440-285-3481**.*



The MK 123 Mod. 1 lightweight .50 Caliber Tripod weighs only 19 lbs. and has a durable, black anodized finish. (MK 93 cradle mount shown not included.)



Government/ LE Catalog

OHIO ORDNANCE WORKS, INC.

Cage Code: 1V2A7

• Single and Twin .50 Caliber Mount

The M63 .50 caliber Anti-Aircraft machine gun mount is designed for John Browning's M2 .50 caliber heavy machine gun. The M2 machine gun needs to be mounted due to the size and power of the weapon system. The mount comes complete with ammo can adapter.

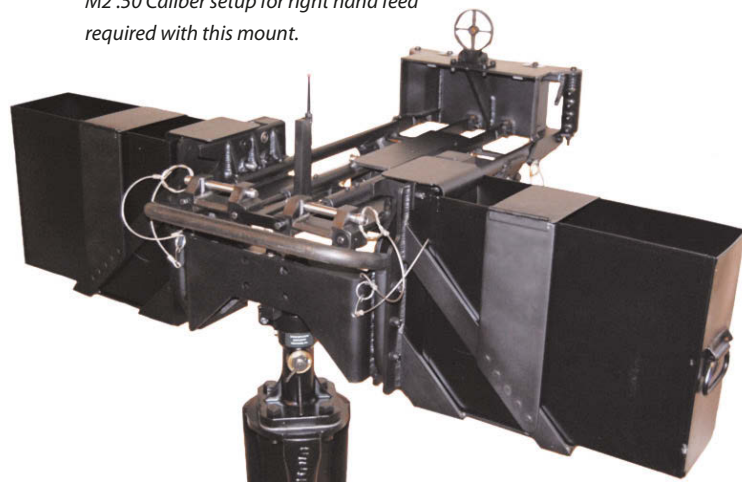
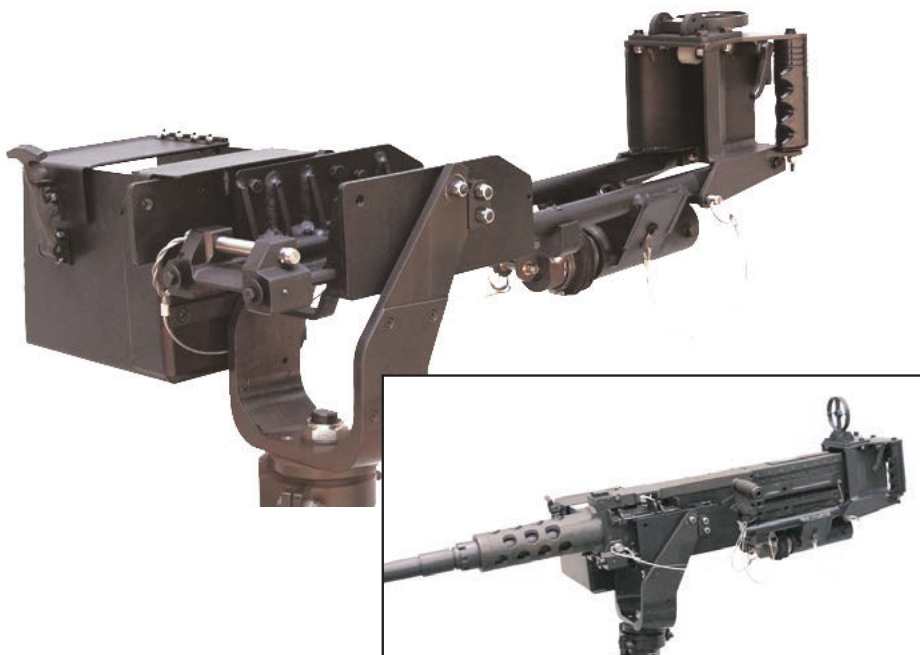
The twin mounting system has dual ammo can attachments on either side that feed the ammunition to each gun.

Single Mount 1005-01-533-9739.....Call for Quote

Twin Mount 1005-01-548-3158Call for Quote

*To request a quote or proposal for US or International tenders, please call **440-285-3481**.*

M2 .50 Caliber setup for right hand feed required with this mount.



• PKM Cradle Mount

OOW exclusive cradle mount accepts the 7.62x54R PKM Light Machine Gun. New manufacture cradle comes with ammunition can adapter capable of holding either a 100 rd. or 200 rd. ammo can. Quick release adjustment lever allows for instantaneous free movement of cradle, or locking in a fixed position as situations require. Please specify adapter style: .30-.50 (small pintle typical of Humvee mount) or Standard (large pintle). Available in desert tan or parkerized grey finish.

Small Pintle: 141138A.....Call for Quote

*To request a quote or proposal for US or International tenders, please call **440-285-3481**.*



*Large and small pintle available-
please specify when ordering.*



Large Pintle: 141138Call for Quote

*To request a quote or proposal for US or International tenders, please call **440-285-3481**.*



Government/ LE Catalog

OHIO ORDNANCE WORKS, INC.

Cage Code: 1V2A7

• Arsenal Level Small Arms and Crew Served Weapon System Repair or Rebuild Services

Ohio Ordnance Works, Inc. (OOW) is proud to offer a full service, arsenal level repair division. We specialize in the repair of past and current military small arms up to, and including, the M2 .50 caliber machine gun. We supply new MIL spec, new old stock, and Grades A & B used parts. OOW can also manufacture some of those hard to find parts.

When received, all weapons are inspected according to our ISO 9001:2008 standards, and then repair/rebuild is quoted based on time and material. All repairs are pre-authorized by the customer. The weapon is test fired to verify the correct function of the repair, then cleaned and final inspected. Every weapon that comes into our facility leaves in complete working order.

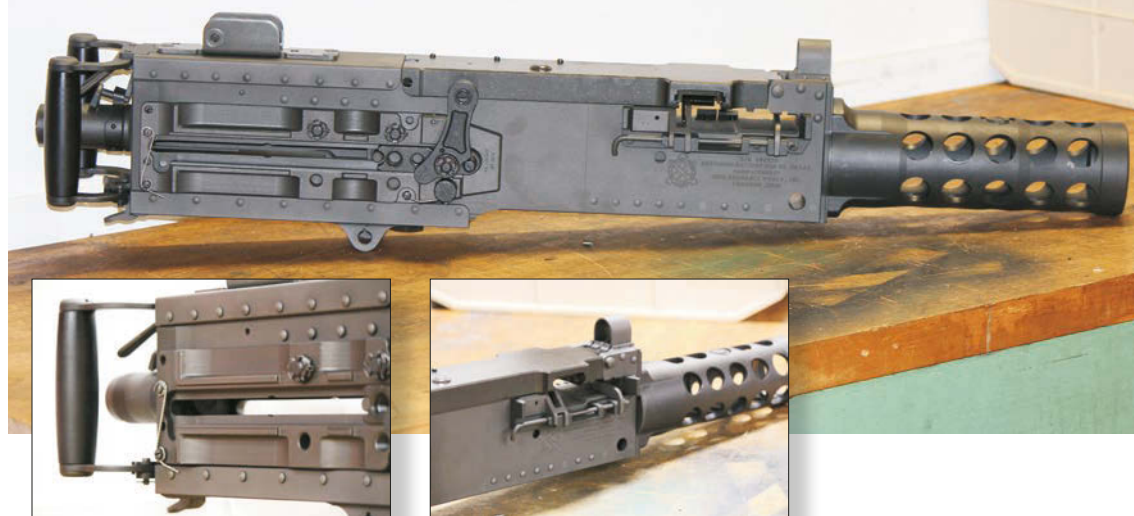
Some of the services that we provide include:

- TIG and MIG welding of receivers and parts
- Lathe work including single point thread cutting
- Manual Milling work
- Heat Treating and Tempering
- Magnaflux Inspection for cracks and defects
- Complete Rebuilds/Refurbishments
- Refinishing (Parkerizing, Black Oxide, Bluing, etc.)
- Gaging and Headspace

All repairs come with a One-Year Guarantee on parts and labor. This guarantee excludes any customer modifications or repair attempts as well as the use of improper ammunition.



After



• Firearms Training and Instruction

Ohio Ordnance Works, Inc. (OOW) offers training services for both individuals and classroom sized groups. Training is available for any weapon system and features both Operator and Armorer Level courses.

Classes normally take two days of classroom instruction and one day at the range. Length of classes may vary depending on group size and type of instruction.

Some areas covered in the Operator Level Training include:

- Major Components
- Equipment Data
- Troubleshooting Procedures
- Field Stripping & Reassembly
- Cleaning
- Ammunition
- Front Sight Adjustment

Some areas covered in the Armorer Level Training include:

- Major Components
- Equipment Data
- Disassembly & Reassembly
- Inspection & Repair
- Function Testing
- Cleaning
- Stoppage
- Testing
- Using the Tech Manual

Call for quote and to schedule your training.

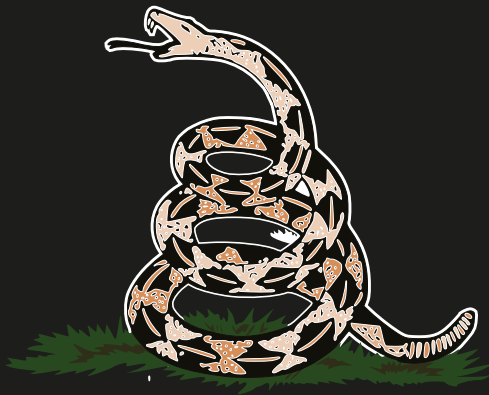


Government/ LE Catalog

OHIO ORDNANCE WORKS, INC.

Cage Code: 1V2A7





DONT TREAD ON ME



Manufacturer of Destructive Devices
Importer of Destructive Devices
Manufacturer and Exporter with the U.S. Department of State
Broker with the U.S. Department of State
Importer of U.S. Munitions Import List Articles
Cage Code: 1V2A7

Ohio Ordnance Works, Inc.
PO Box 687, Chardon, Ohio 44024

phone: 440-285-3481

fax: 440-286-8571

business hours: monday thru friday, 8am to 5pm

sales inquiries: sales@oowinc.com

general: oow@ohioordnanceworks.com

web: www.ohioordnanceworks.com

Source Code: MIL15-OOW

